

DIGITAL PRESSURE SWITCH

The digital pressure switch allows both the transmission of electrical pressure signals and the instant display of pressure. Two digital outputs, which can be set according to the two pressure values reached, are available. An analogue output of a voltage proportional to the pressure reading is also available. The values are clearly displayed on a LED video and different parameters can be entered from the keypad. Hysteresis can be adjusted and the unit of measurement for pressure can be modified. Two models are available:

Series **600**, characterised by G1/8" female pneumatic ports, one at the bottom and one at the back (pressure switch supplied with bottom port covered with a removable plug); one-colour LED; pre-wired cable.

Series **640**, characterised by R1/8" male pneumatic ports (taper thread) and M5 female thread inside on the rear side; two-colour LED displays that can be programmed depending on the pressure signal; cable with connector. It is available in analog and IO-Link versions.

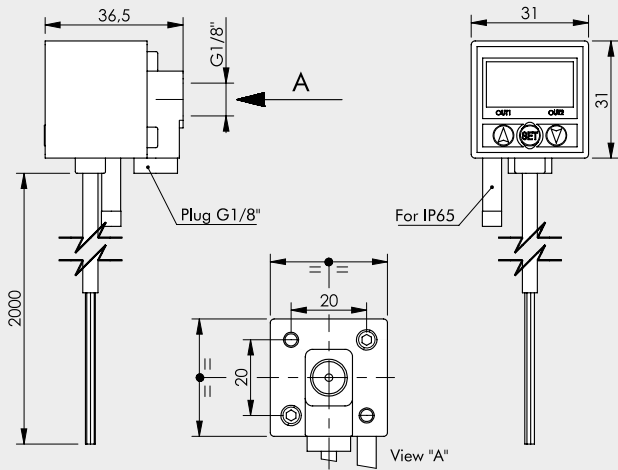
A kit of accessories is provided for fixing to the top or wall, or to a panel.



| TECHNICAL DATA | SERIES 600 | SERIES 640 | SERIES 640 IO-Link |
|---|--|--|--|
| Fieldbus | - | - | IO-Link version 1.1 |
| Working pressure range | -1 to 10 bar / -0.1 to 1 MPa | | |
| Maximum admissible pressure | 15 bar / 1.5 MPa | | |
| Readable resolution | 0.01 bar / 0.001 MPa / 0.01 kg/cm ² / 0.1 psi | | |
| Power supply | VDC | 12 to 24 ± 10%, max ripple 10% | 24, Ripple (P-P) ≤ 10% |
| Current consumption | mA | ≤ 55 | ≤ 35 (no load) |
| Outputs | - | - | OUT 1: IO-Link (C/Q Line) or PNP or NPN configurable OUT 2: Analogue or PNP or NPN configurable |
| Digital outputs | PNP: Number of outputs: 2 Max current: 80 mA Max voltage: 24 VDC Residual voltage: ≤ 1V (at 80 mA) | PNP: Number of outputs: 2 Max current: 125 mA Max voltage: 24 VDC Residual voltage: ≤ 1.5V (at 125 mA) | PNP: Open collector output Max current: 150 mA Max voltage: 24 VDC Residual voltage: ≤ 1V NPN: Open collector output Max current: 150 mA Max voltage: 30 VDC Residual voltage: ≤ 1V |
| Analogue output | 1/5V ± 2.5% (0 bar - 1V; 10 bar - 5V; it doesn't read the vacuum) Linearity ≤ 1% full scale Output impedance: about 1 kΩ | | 1/5V, 0/10V, 4/20 mA configurable Linearity ± 1.5% full scale 1/5V - 0/10V (impedance 1 kΩ), 4/20 mA (impedance 500 Ω) |
| Digital output repeatability | ≤ ± 0.2% full scale ± 1 digits | | |
| Hysteresis | Adjustable or fixed at 3 digits for operation within a pressure range | | |
| Actuation response time | ms | ≤ 2.5 | |
| Interference suppression selectable at | ms | 24, 192, 768 25, 100, 250, 500, 1000, 1500 | |
| Short-circuit protection at the outputs | Yes | | |
| LED 7 segment display | 3 ½ digit display | | |
| Display colours | red | red/green | |
| Display accuracy | ±2% full scale ± 1 digit, ambient temperature 25° ± 3°C | | |
| Indicators | green LED (output 1), red LED (output 2) | orange LED (output 1 and output 2) | Green or Red LED configurable |
| Thermal characteristic | ≤ ± 2% full scale of the calibration pressure (at 25°C), in the temperature range 0 - 50°C | | |
| Compressed air ports | 2 G1/8" female thread | 1 R1/8" male taper thread (M5 female inside) | |
| Power cable | pre-wired cable, not removable | 2 m, with five 0.15 mm ² wires, oil-resistant removable connector | |
| Communication speed | Kbps | - | 38.4 (COM2) |
| Vendor ID / Device ID | - | - | 1046 (hex 0x0416) / 72 (hex 0x00048) |
| Minimum cycle time | ms | - | 3 |
| Process data length | - | - | 2 byte di Input (2 bit BCD; 14 bit PDV) |
| Weight | g | 105, including 2 m cable | 86, including 2 m cable |
| AMBIENT CONDITIONS | | | |
| Fluid | Filtered and unlubricated air, inert non-corrosive and non-explosive gas | | |
| Degree of protection | IP 40 - IP65 (with accessory protection assembled) | | IP 40 |
| Temperature range | 0 to 50 | | |
| Storage temperature | -20 to +60, but without condensate or ice | | |
| Ambient humidity | 35 to 85% relative humidity; no condensate | | |
| Insulation voltage | 1000 VAC for one minute between casing and cable | | |
| Resistance of Insulation | Min. 50 MΩ minimo (at 500 VDC between casing and cable) | | |
| Vibration admitted | 1.5 mm amplitude or 10G with scanning every minute from 10 to 55 Hz at 10 Hz, for 2 hours in each direction x, y and z | | |
| Impact | 980 m/s ² (100 g), 3 times in each direction x, y and z 100 m/s ² (10 g), 3 times in each direction x, y and z | | |

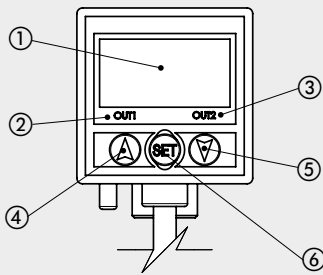
SERIES 600

DIMENSIONS AND ORDERING CODES



| Code | Description |
|---------|------------------------------------|
| 9000600 | Digital pressure switch series 600 |

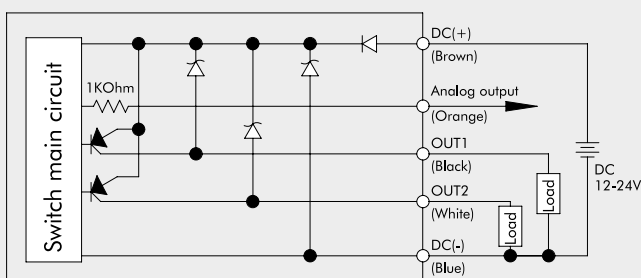
USER INTERFACE



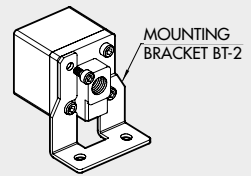
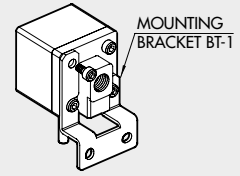
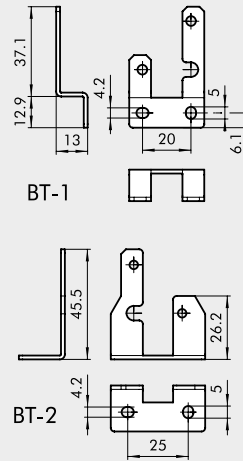
- ① 3 1/2 digit display, red: showing the pressure reading, all setting information, and the error code
- ② Digital output 1: green LED
- ③ Digital output 2: red LED
- ④ Button: modifies the value of the selected parameter
- ⑤ Button: modifies the value of the selected parameter
- ⑥ Setting button: selects the parameter to modify

WIRING DIAGRAM

PNP output



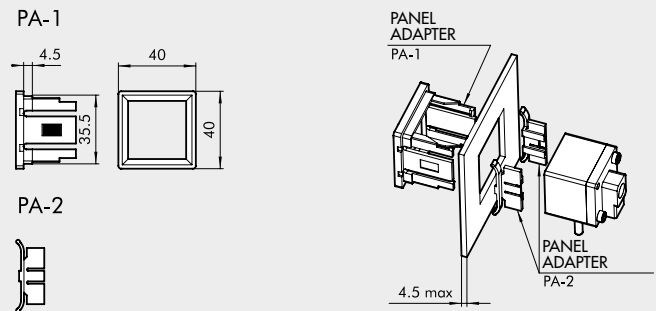
FIXING BRACKET KIT



| Code | Description |
|---------|---|
| 9000601 | Kit of fixing brackets for digital pressure switches series 600 |

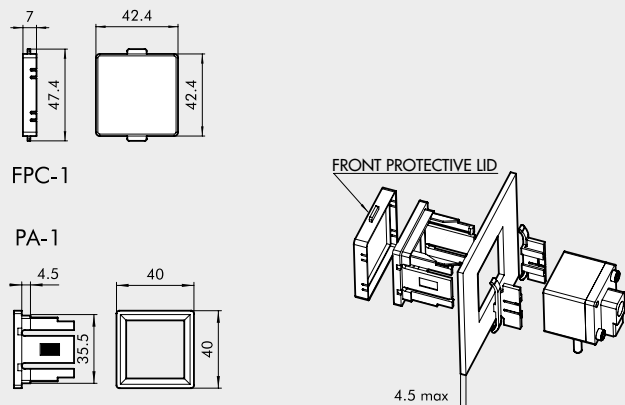
N.B.: Each kit contains a bracket for fixing on the back and one for fixing at the bottom.

PANEL FIXING KIT



| Code | Description |
|---------|---|
| 9000602 | Kit for panel fixing for the digital pressure switch series 600 |

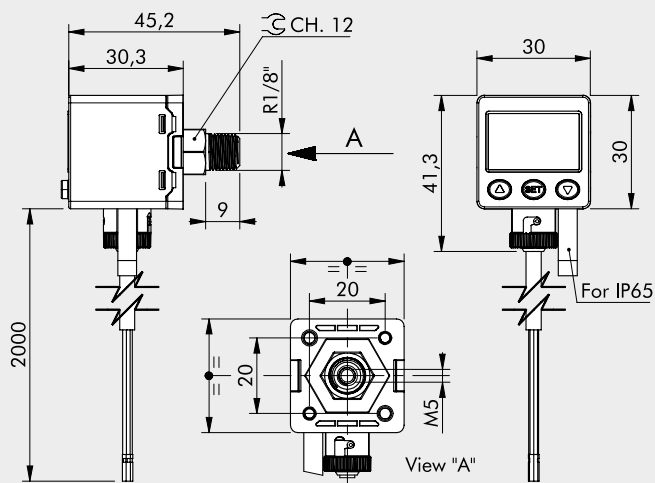
PANEL FIXING KIT WITH PROTECTION



| Code | Description |
|---------|---|
| 9000603 | Kit for panel fixing with protection for the digital pressure switch series 600 |

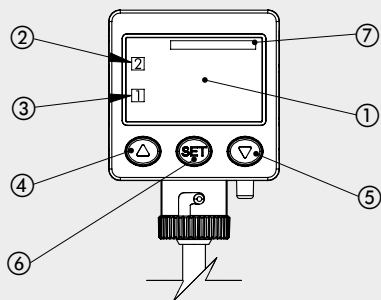
SERIES 640

DIMENSIONS AND ORDERING CODES



| Code | Description |
|---------|------------------------------------|
| 9000640 | Digital pressure switch series 640 |

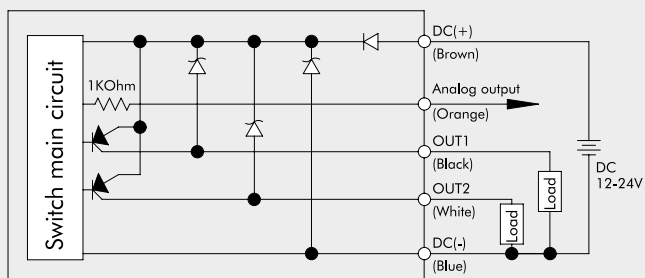
USER INTERFACE



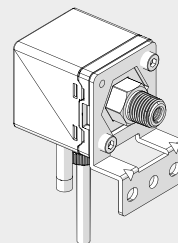
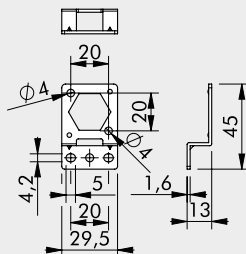
- ① 3 1/2 digit display, green and red: it displays the unit of measurement, the pressure value read, all setting information, the error code.
- ② Digital output 1: orange LED
- ③ Digital output 2: orange LED
- ④ Button: modifies the value of the selected parameter
- ⑤ Button: modifies the value of the selected parameter
- ⑥ Setting button: selects the parameter to modify
- ⑦ Unit of measurement selected

WIRING DIAGRAM

PNP output

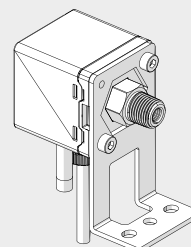
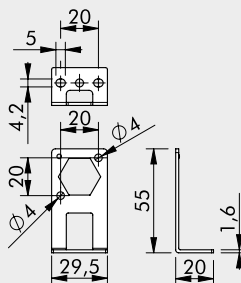


PARALLEL FIXING BRACKET KIT



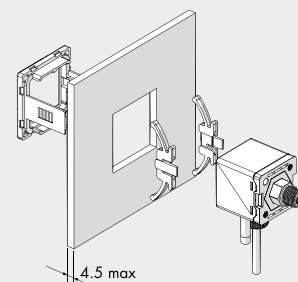
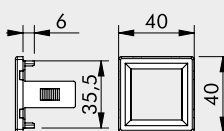
| Code | Description |
|---------|--|
| 9000641 | Parallel fixing bracket kit for digital pressure switch series 640 |

90° FIXING BRACKET KIT



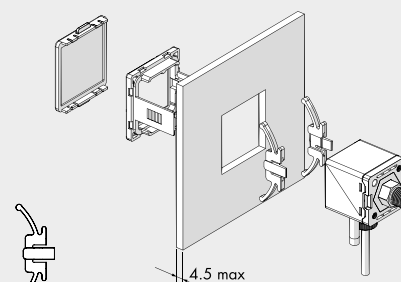
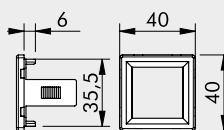
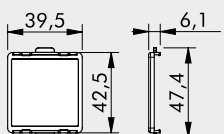
| Code | Description |
|---------|---|
| 9000644 | 90° fixing bracket kit for digital pressure switch series 640 |

PANEL FIXING KIT



| Code | Description |
|---------|---|
| 9000642 | Kit for panel fixing for the digital pressure switch series 640 |

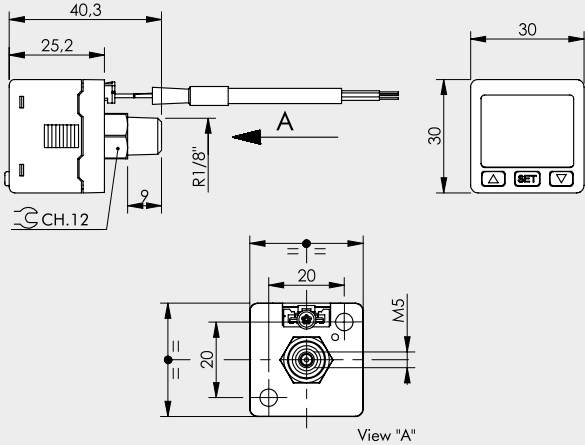
PANEL FIXING KIT WITH PROTECTION



| Code | Description |
|---------|---|
| 9000643 | Kit for panel fixing with protection for the digital pressure switch series 640 |

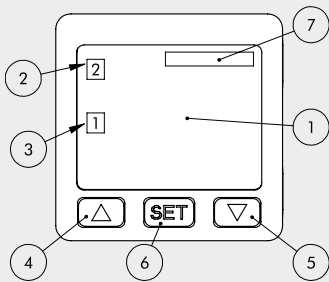
SERIES 640 IO-Link

DIMENSIONS AND ORDERING CODES



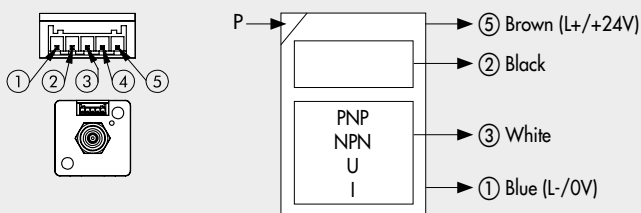
| Code | Description |
|----------|--|
| 9000640L | Digital pressure switch series 640 IO-Link |

USER INTERFACE



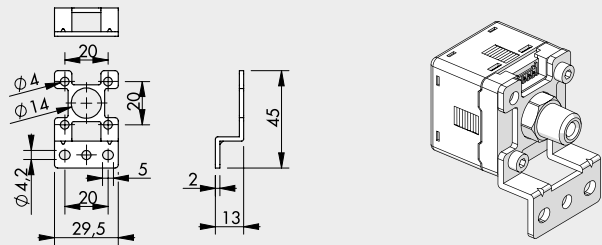
- ① 3 1/2 digit display, green and red: it displays the unit of measurement, the pressure value read, all setting information, the error code.
- ② Digital output 1: orange LED
- ③ Digital output 2: orange LED
- ④ Button: modifies the value of the selected parameter
- ⑤ Button: modifies the value of the selected parameter
- ⑥ Setting button: selects the parameter to modify
- ⑦ Unit of measurement selected

WIRING DIAGRAM



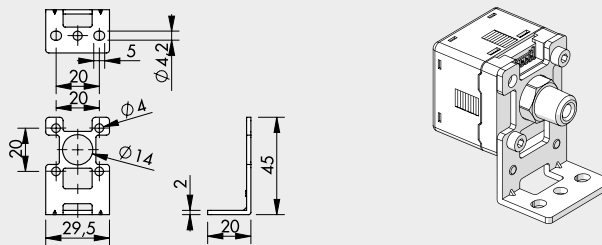
| PIN | Color | Function |
|-----|--------|--|
| 1 | Blue | 0V power supply |
| 2 | Black | Digital output OUT 1 or IO-Link (C/Q Line) |
| 3 | White | Digital output OUT 2 or analog output (1 to 5V, 0 to 10V, 4 to 20 mA) |
| 4 | Orange | Disconnect |
| 5 | Brown | +24VDC power supply |

PARALLEL FIXING BRACKET KIT



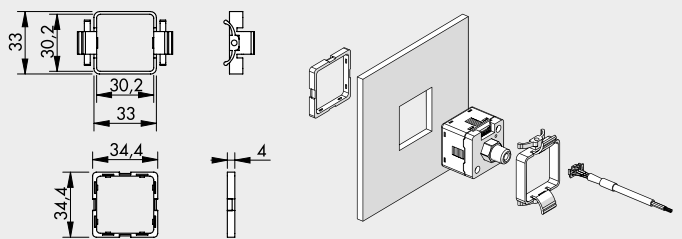
| Code | Description |
|----------|--|
| 9000641L | Parallel fixing bracket kit for digital pressure switch series 640 IO-Link |

90° FIXING BRACKET KIT



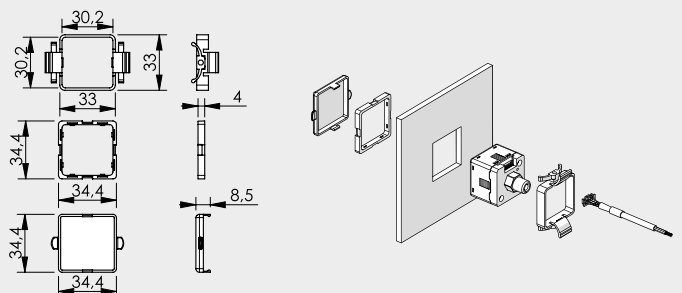
| Code | Description |
|----------|---|
| 9000644L | 90° fixing bracket kit for digital pressure switch series 640 IO-Link |

PANEL FIXING KIT



| Code | Description |
|----------|---|
| 9000642L | Kit for panel fixing for the digital pressure switch series 640 IO-Link |

PANEL FIXING KIT WITH PROTECTION



| Code | Description |
|----------|---|
| 9000643L | Kit for panel fixing with protection for the digital pressure switch series 640 IO-Link |