

VALVES ISO 5599/1, PNEUMATIC SERIES IPV

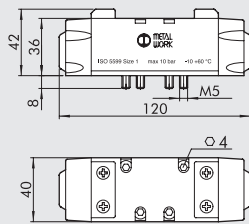
TECHNICAL DATA		ISO 1	ISO 2	ISO 3
Operating pressure	bar	Vacuum to 10		
Minimum operation pressure:				
• monostable and bistable differential	bar	2.5		
• bistable	bar	1		
Operating temperature range	°C	-10° to +60		
Nominal diameter	mm	7.5	12	15
Conductance C	NI/min · bar	250	657.14	971.43
Critical ratio b	bar/bar	0.36	0.25	0.43
Flow rate at 6 bar ΔP 0.5 bar	NI/min	700	1800	3200
Flow rate at 6 bar ΔP 1 bar	NI/min	1100	2700	4600
Response times at 6 Bar:				
• monostable	ms	12	24	35
• bistable	ms	20	30	45
Repositioning response times at 6 Bar:				
• monostable	ms	30	43	55
• bistable	ms	20	30	45
Manual		monostable on valve body		



VALVES

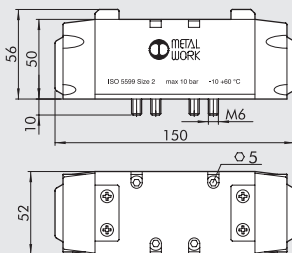
VALVES ISO 5599/1, SERIES IPV-ISV

PNEUMATIC ACTUATION ISO 1



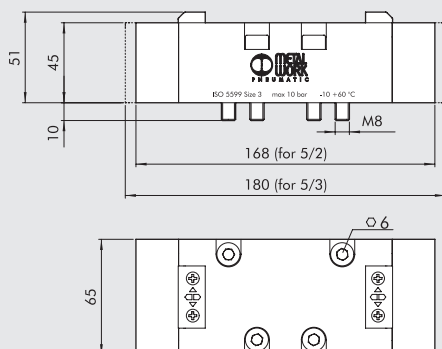
Symbol	Code	Abbrev.	Weight [g]
	7051011100	IPV 55 PNS OO	310
	7051011200	IPV 55 PNB OO	310
	7051011300	IPV 55 PND OO	310
	7051012100	IPV 56 PNS CC	310
	7051012200	IPV 56 PNS OC	310
	7051012300	IPV 56 PNS PC	310

PNEUMATIC ACTUATION ISO 2



Symbol	Code	Abbrev.	Weight [g]
	7052011100	IPV 65 PNS OO	705
	7052011200	IPV 65 PNB OO	705
	7052011300	IPV 65 PND OO	705
	7052012100	IPV 66 PNS CC	705
	7052012200	IPV 66 PNS OC	705
	7052012300	IPV 66 PNS PC	705

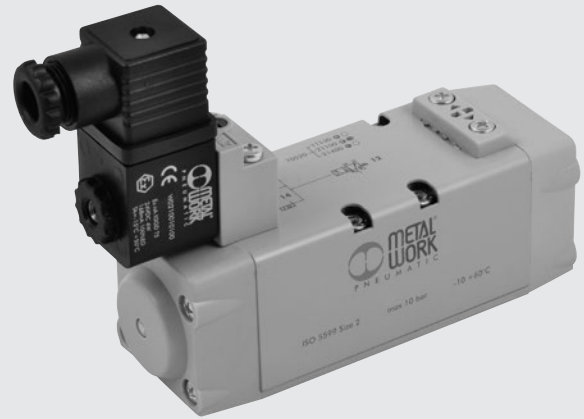
PNEUMATIC ACTUATION ISO 3



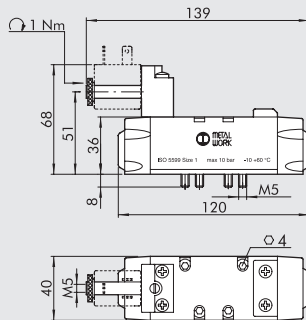
Symbol	Code	Abbrev.	Weight [g]
	7056011100	IPV 75 PNS OO	1175
	7056011200	IPV 75 PNB OO	1175
	7056011300	IPV 75 PND OO	1175
	7056012100	IPV 76 PNS CC	1290
	7056012200	IPV 76 PNS OC	1290
	7056012300	IPV 76 PNS PC	1290

VALVES ISO 5599/1, SOLENOID/PNEUMATIC, SERIES ISV

TECHNICAL DATA		ISO 1	ISO 2	ISO 3
Operating pressure:	bar			
• monostable and bistable differential			2.5 to 10	
• bistable			1 to 10	
• pilot-assisted			Vacuum to 10	
Minimum pilot pressure	bar		2.5	
Operating temperature range	°C		-10 to +60	
Nominal diameter	mm	7.5	12	15
Conductance C	NI/min · bar	250	657.14	971.43
Critical ratio b	bar/bar	0.36	0.25	0.43
Flow rate at 6 bar ΔP 0.5 bar	NI/min	700	1800	3200
Flow rate at 6 bar ΔP 1 bar	NI/min	1100	2700	4600
TRA / TRR monostable at 6 bar	ms	24 / 50	39 / 60	50 / 120
TRA / TRR bistable at 6 bar	ms	20 / 20	25 / 25	35 / 35
Solenoid pilot		Standards CNOMO		
Manual		Bistable on solenoid pilot Monostable on valve body		
Coils		30 mm side DIN 43650 Form A – ISO 22 mm side		
Maximum coil nut torque	Nm		1	

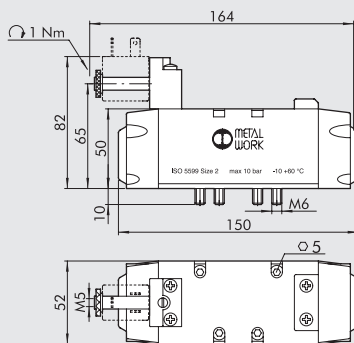


MONOSTABLE 5/2 ISO 1



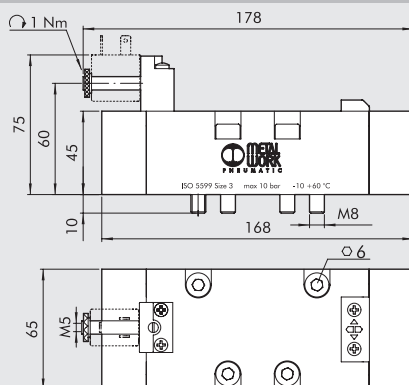
Symbol	Code	Abbrev.	Weight [g]
	7051021100	ISV 55 SOS OO	344
	7051021400	ISV 55 SES OO	344

MONOSTABLE 5/2 ISO 2



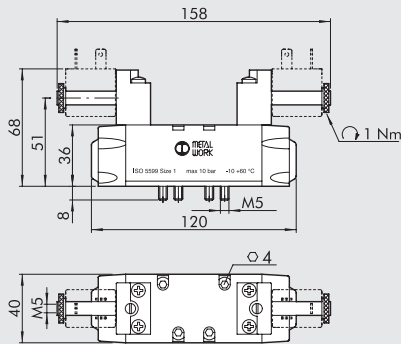
Symbol	Code	Abbrev.	Weight [g]
	7052021100	ISV 65 SOS OO	715
	7052021400	ISV 65 SES OO	715

MONOSTABLE 5/2 ISO 3



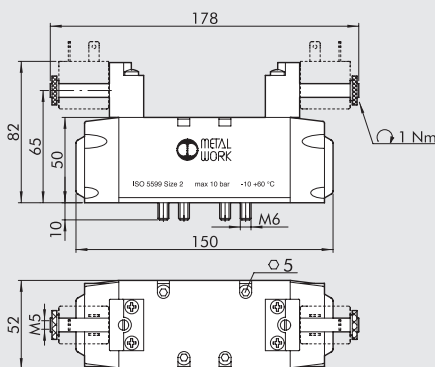
Symbol	Code	Abbrev.	Weight [g]
	7056021100	ISV 75 SOS OO	1207
	7056021400	ISV 75 SES OO	1207

BISTABLE 5/2 ISO 1 - MONOSTABLE 5/3 ISO 1



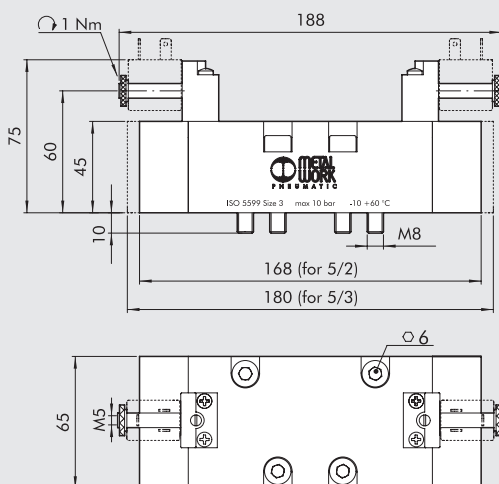
Symbol	Code	Abbrev.	Weight [g]
	7051021200	ISV 55 SOB OO	388
	7051021300	ISV 55 SOD OO	375
	7051022100	ISV 56 SOS CC	372
	7051022200	ISV 56 SOS OC	372
	7051022300	ISV 56 SOS PC	372
	7051021500	ISV 55 SEB OO	388
	7051021600	ISV 55 SED OO	375
	7051022400	ISV 56 SES CC	372
	7051022500	ISV 56 SES OC	372
	7051022600	ISV 56 SES PC	372

BISTABLE 5/2 ISO 2 - MONOSTABLE 5/3 ISO 2



Symbol	Code	Abbrev.	Weight [g]
	7052021200	ISV 65 SOB OO	740
	7052021300	ISV 65 SOD OO	710
	7052022100	ISV 66 SOS CC	720
	7052022200	ISV 66 SOS OC	720
	7052022300	ISV 66 SOS PC	720
	7052021500	ISV 65 SEB OO	740
	7052021600	ISV 65 SED OO	710
	7052022400	ISV 66 SES CC	720
	7052022500	ISV 66 SES OC	720
	7052022600	ISV 66 SES PC	720

BISTABLE 5/2 ISO 3 - MONOSTABLE 5/3 ISO 3



Symbol	Code	Abbrev.	Weight [g]
	7056021200	ISV 75 SOB OO	1230
	7056021300	ISV 75 SOD OO	1230
	7056022100	ISV 76 SOS CC	1355
	7056022200	ISV 76 SOS OC	1355
	7056022300	ISV 76 SOS PC	1355
	7056021500	ISV 75 SEB OO	1230
	7056021600	ISV 75 SED OO	1230
	7056022400	ISV 76 SES CC	1355
	7056022500	ISV 76 SES OC	1355
	7056022600	ISV 76 SES PC	1355

VALVES ISO 5599/1, PNEUMATIC, SERIES ISV WITH IN-LINE SOLENOID PILOT

VALVES

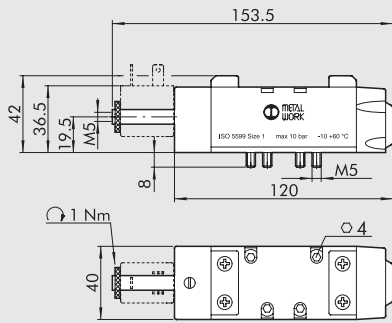
VALVES ISO 5599/1, SERIES IPV-ISV

TECHNICAL DATA

		ISO 1
Operating pressure:	bar	
• monostable		2.5 to 10
• bistable		1 to 10
• pilot-assisted		Vacuum to 10
Minimum pilot pressure	bar	2.5
Operating temperature range	°C	-10 to +60
Nominal diameter	mm	7.5
Conductance C	NI/min · bar	250
Critical ratio b	bar/bar	0.36
Flow rate at 6 bar ΔP 0.5 bar	NI/min	700
Flow rate at 6 bar ΔP 1 bar	NI/min	1100
TRA / TRR monostable at 6 bar	ms	24 / 50
TRA / TRR bistable at 6 bar	ms	20 / 20
Solenoid pilot		In line pilot
Manual		Bistable on solenoid pilot
Coils		30 mm side DIN 43650
		Form A – ISO
		22 mm side
Maximum coil nut torque	Nm	1

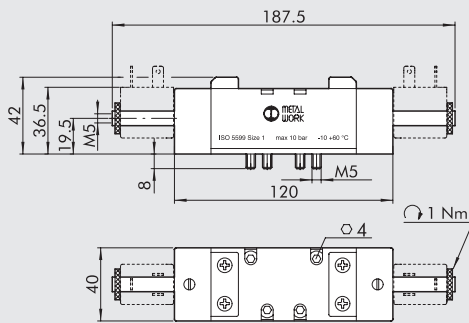


MONOSTABLE 5/2 ISO 1



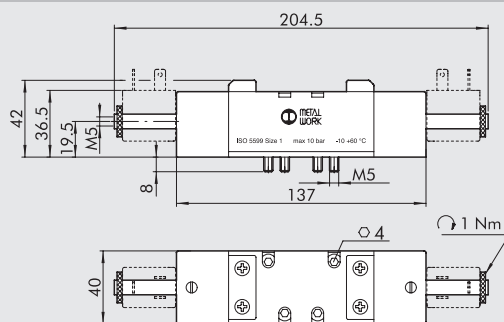
Symbol	Code	Abbrev.	Weight [g]
	7053021100	ISV 55 DOS OO	396
	7053021400	ISV 55 DES OO	396

BISTABLE 5/2 ISO 1



Symbol	Code	Abbrev.	Weight [g]
	7053021200	ISV 55 DOB OO	450
	7053021500	ISV 55 DEB OO	450

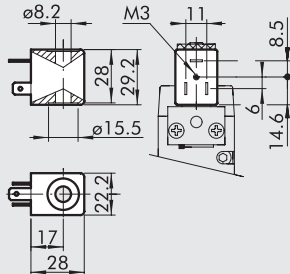
MONOSTABLE 5/3 ISO 1



Symbol	Code	Abbrev.	Weight [g]
	7053022100	ISV 56 DOS CC	517
	7053022200	ISV 56 DOS OC	516
	7053022300	ISV 56 DOS PC	516
	7053022400	ISV 56 DES CC	517
	7053022500	ISV 56 DES OC	516
	7053022600	ISV 56 DES PC	515

COILS AND CONNECTORS FOR ISO 5599/1 SOLENOID VALVES SERIES ISV

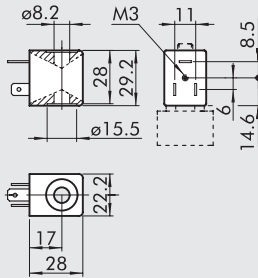
COILS SIDE 22 mm



- Voltage tolerance: -10% to + 15%
- Insulation class: F155
- Degree of protection: IP65 EN60529 with connector
- Avoid prolonged exposure to the atmospheric agents
- Coil temperature 100% ED: 55°C at 20°C ambient temperature
- According to Atex 2014/34/EU rule, group 2, category 3 GD

Code	Abbrev.	Nominal voltage	Absorption	
			Inrush	Holding
W0215000151	Coil 22 Ø 8 BA 2W-12VDC	12Vcc	2W	2W
W0215000101	Coil 22 Ø 8 BA 2W-24VDC	24Vcc	2W	2W
W0215000111	Coil 22 Ø 8 BA 3.5VA-24VAC	24V 50/60Hz	5.3VA	3.5VA
W0215000121	Coil 22 Ø 8 BA 3.5VA-110VAC	110V 50/60Hz	5.3VA	3.5VA
W0215000131	Coil 22 Ø 8 BA 3.5VA-220VAC	220V 50/60Hz	5.3VA	3.5VA

"UL" AND "CSA" COILS 22 mm

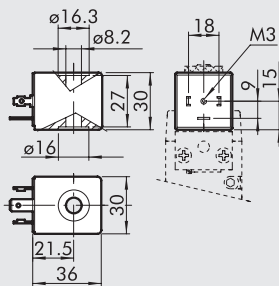


- Voltage tolerance: -10% to + 15%
- Insulation class: F155
- Degree of protection: IP65 EN60529 with connector
- Avoid prolonged exposure to the atmospheric agents
- Coil temperature 100% ED: 55°C at 20°C ambient temperature

Code	Abbrev.	Nominal voltage	Absorption	
			Inrush	Holding
W0215000251	Coil 22 Ø 8 BA 2W-12VDC UR	12Vcc	2W	2W
W0215000201	Coil 22 Ø 8 BA 2W-24VDC UR	24Vcc	2W	2W
W0215000211	Coil 22 Ø 8 BA 3.5VA-24VAC UR	24V 50/60Hz	5.3VA	3.5VA
W0215000221	Coil 22 Ø 8 BA 3.5VA-110VAC UR	110V 50/60Hz	5.3VA	3.5VA
W0215000231	Coil 22 Ø 8 BA 3.5VA-220VAC UR	220V 50/60Hz	5.3VA	3.5VA



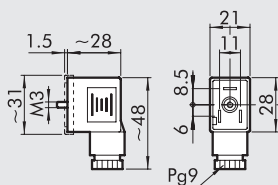
COILS SIDE 30 mm



- Electric contact DIN43650 shape A - ISO 4400
- Voltage tolerance: -10% + 10%
- Insulation class: F155
- Degree of protection: IP65 EN60529 with connector
- Avoid prolonged exposure to the atmospheric agents
- According to Atex 2014/34/EU rule, group 2, category 3 GD

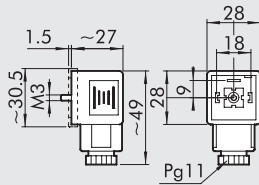
Code	Abbrev.	Nominal voltage	Absorption	
			Inrush	Holding
W0210010100	Coil 30 Ø 8 2W-24VDC	24Vcc	5W	2W
W0210011100	Coil 30 Ø 8 3.5VA-24VAC	24V 50/60Hz	10VA	3.5VA
W0210012100	Coil 30 Ø 8 3.5VA-110VAC	110V 50/60Hz	10VA	3.5VA
W0210013100	Coil 30 Ø 8 3.5VA-220VAC	220V 50/60Hz	10VA	3.5VA

CONNECTOR FOR COILS SIDE 22 mm



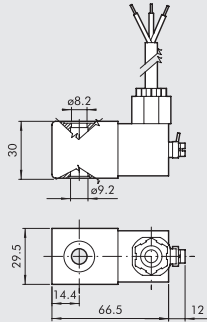
Code	Type	Colour	Ø Cable
W0970510011	Standard	Black	PG9
W0970510012	LED 24V	Transparent	PG9
W0970510013	LED 110V	Transparent	PG9
W0970510014	LED 220V	Transparent	PG9
W0970510015	LED + VDR 24V	Transparent	PG9
W0970510016	LED + VDR 110V	Transparent	PG9
W0970510017	LED + VDR 220V	Transparent	PG9
W0970510070	Atex II 2 GD	Black	PG9

CONNECTOR FOR COILS SIDE 30 mm



Code	Type	Colour	Ø Cable
W0970520033	Standard	Black	PG11
W0970520034	LED 24V	Transparent	PG11
W0970520035	LED 110V	Transparent	PG11
W0970520036	LED 220V	Transparent	PG11
W0970520037	LED + VDR 24V	Transparent	PG11
W0970520038	LED + VDR 110V	Transparent	PG11
W0970520039	LED + VDR 220V	Transparent	PG11

KIT COIL EEXM



Code	Description
0227606913	Kit for coil 30 24 VDC EEXMT5 cable 3 m
0227606915	Kit for coil 30 24 VDC EEXMT5 cable 5 m
0227608013	Kit for coil 30 24 VAC EEXMT5 cable 3 m
0227608015	Kit for coil 30 24 VAC EEXMT5 cable 5 m
0227608023	Kit for coil 30 110 VAC EEXMT5 cable 3 m
0227608025	Kit for coil 30 110 VAC EEXMT5 cable 5 m
0227608033	Kit for coil 30 230 VAC EEXMT5 cable 3 m
0227608035	Kit for coil 30 230 VAC EEXMT5 cable 5 m

According to Atex 2014/34/EU rule: Ex II 2G Ex mb IIC T4/T5 Gb
 Ex II 2D Ex tb IIC T130/T95 °C IP66 Db

N.B.: Supplied complete with adapter for Ø8 mm sleeve.

KIT COILS SIDE 22 IP65



Code	Description
0222100100	Kit for coil 22 - IP65

Improved IP65 protection, even after prolonged exposure to atmospheric agents.
 Applicable to valves with a technopolymer control.

NOTES

VALVES ISO 5599/1, SOLENOID/PNEUMATIC, SERIES ISV WITH M12 CONNECTOR

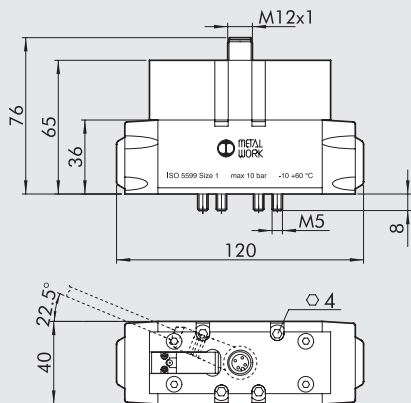


TECHNICAL DATA		ISO 1	ISO 2
Operating pressure:	bar		
• monostable and bistable differential		2.5 to 10	
• bistable		1 to 10	
• pilot-assisted		Vacuum to 10	
Minimum pilot pressure	bar	2.5	
Operating temperature range	°C	-10 to +60	
Nominal diameter	mm	7.5	12
Conductance C	NI/min · bar	250	657.14
Critical ratio b	bar/bar	0.36	0.25
Flow rate at 6 bar ΔP 0.5 bar	NI/min	700	1800
Flow rate at 6 bar ΔP 1 bar	NI/min	1100	2700
TRA / TRR monostable at 6 bar	ms	22 / 60	78 / 180
Solenoid pilot		With built-in coil	
Manual		Monostable on solenoid pilot Monostable on valve body	
Coil power	W	1.2	
Voltage		24 VDC ±10%	
Electrical connection		M12	
Degree of protection		IP65 EN60529	
Electrical protection		Transil	



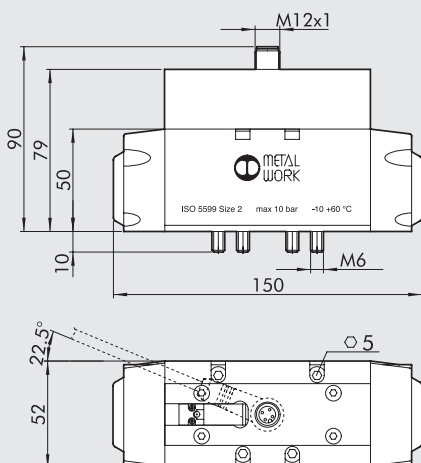
VALVES

MONOSTABLE 5/2 ISO 1



Symbol	Code	Abbrev.	Weight [g]
	7054021100	ISV 55 COS OO	508
	7054021400	ISV 55 CES OO	508

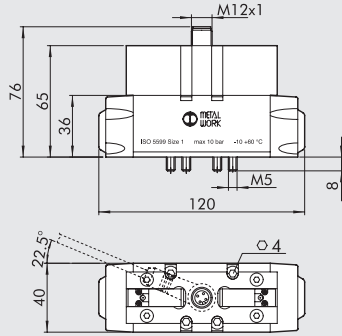
MONOSTABLE 5/2 ISO 2



Symbol	Code	Abbrev.	Weight [g]
	7055021100	ISV 65 COS OO	901
	7055021400	ISV 65 CES OO	901

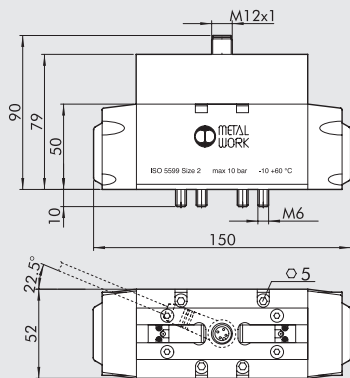
VALVES ISO 5599/1, SOLENOID/PNEUMATIC, SERIES ISV WITH M12 CONNECTOR

BISTABLE 5/2 ISO 1 - MONOSTABLE 5/3 ISO 1



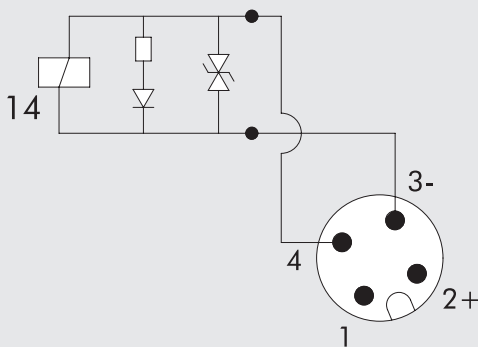
Symbol	Code	Abbrev.	Weight [g]
	7054021200	ISV 55 COB OO	512
	7054021300	ISV 55 COD OO	490
	7054022100	ISV 56 COS CC	496
	7054022200	ISV 56 COS OC	496
	7054022300	ISV 56 COS PC	496
	7054021500	ISV 55 CEB OO	512
	7054021600	ISV 55 CED OO	490
	7054022400	ISV 56 CES CC	496
	7054022500	ISV 56 CES OC	496
	7054022600	ISV 56 CES PC	496

BISTABLE 5/2 ISO 2 - MONOSTABLE 5/3 ISO 2

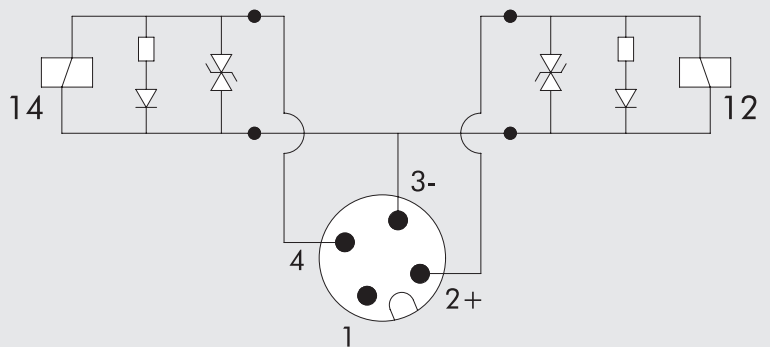


Symbol	Code	Abbrev.	Weight [g]
	7055021200	ISV 65 COB OO	860
	7055021300	ISV 65 COD OO	860
	7055022100	ISV 66 COS CC	868
	7055022200	ISV 66 COS OC	868
	7055022300	ISV 66 COS PC	868
	7055021500	ISV 65 CEB OO	860
	7055021600	ISV 65 CED OO	860
	7055022400	ISV 66 CES CC	868
	7055022500	ISV 66 CES OC	868
	7055022600	ISV 66 CES PC	868

WIRING DIAGRAM

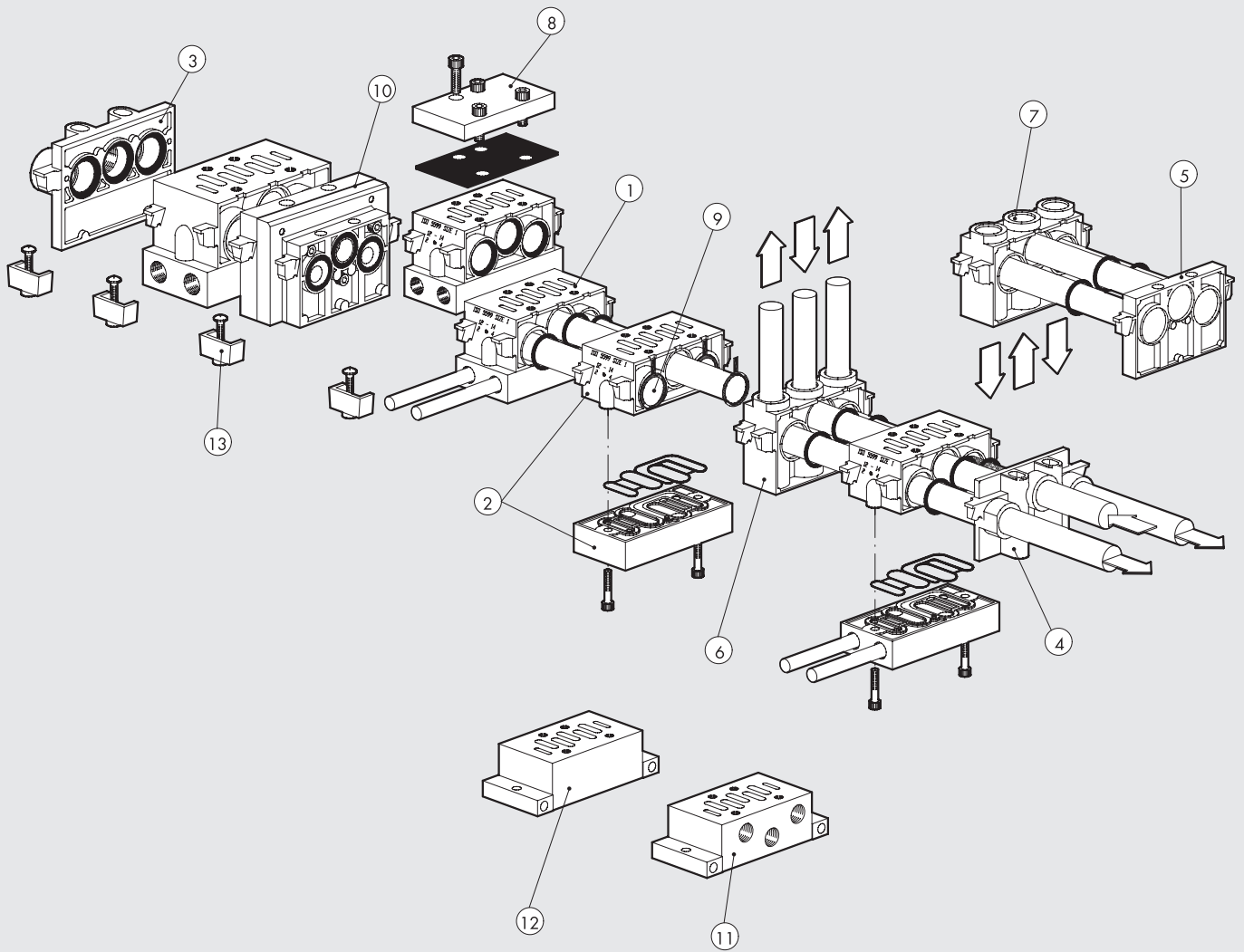


MONOSTABLE



BISTABLE

BASES ISO 5599/1 FOR VALVES SERIES IPV-ISV SIZE 1 AND 2

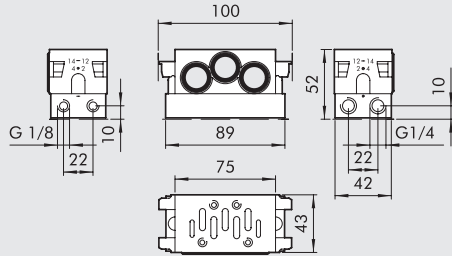


VALVES
BASES ISO 5599/1 FOR VALVES SERIES IPV-ISV SIZE 1 AND 2

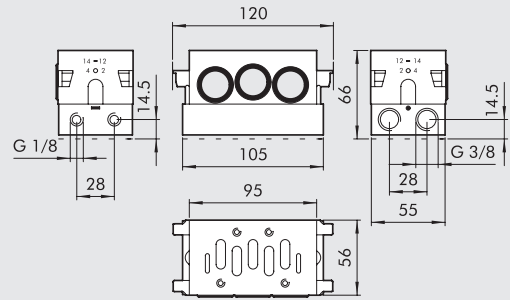
Reference	Code ISO 1	Code ISO 2	Description
①	0228000150	0228001150	Manifold base - side ports
②	0228000155	0228001155	Manifold base with bottom ports
③	0228000200	0228001200	Input end plate
④	0228000201	0228001201	Additional input end plate
⑤	0228000210	0228001210	Blind end plate
⑥	0228000300	0228001300	Intermediate - top ports
⑦	0228000301	0228001301	Intermediate - back ports
⑧	0228000500	0228001500	Blanking plate
⑨	0228000400	0228001400	Intermediate diaphragm
⑩	0228000600	-	ISO 1/ISO 2 port adapter
⑪	0228000100	0228001100	Individual base - side ports
⑫	0228000110	0228001110	Base - bottom ports
⑬	0228000700	0228001700	Assembly kit

① MANIFOLD BASE, SIDE PORTS

ISO 1



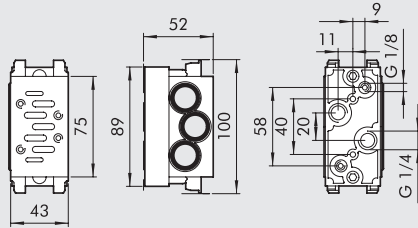
ISO 2



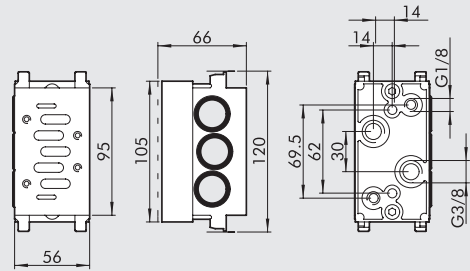
Code	Description	Weight [g]
0228000150	Manifold base, side ports, ISO 1	131
0228001150	Manifold base, side ports, ISO 2	314

② MANIFOLD BASE, BOTTOM PORTS

ISO 1



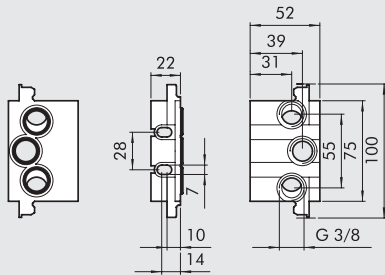
ISO 2



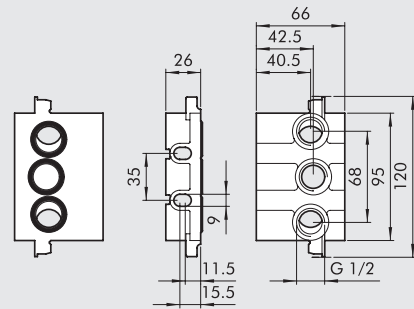
Code	Description	Weight [g]
0228000155	Manifold base, bottom ports, ISO 1	314
0228001155	Manifold base, bottom ports, ISO 2	505

③ INPUT END PLATE

ISO 1



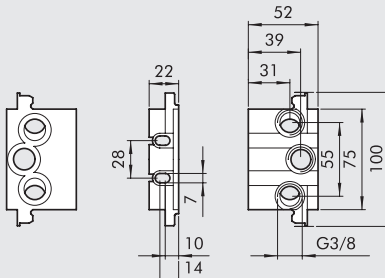
ISO 2



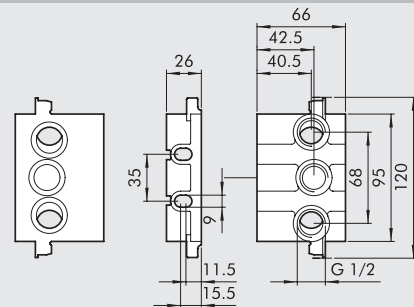
Code	Description	Weight [g]
0228000200	Input end plate ISO 1	129
0228001200	Input end plate ISO 2	206

④ ADDITIONAL INPUT END PLATE

ISO 1



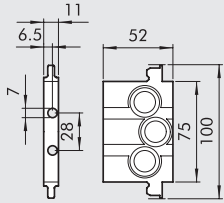
ISO 2



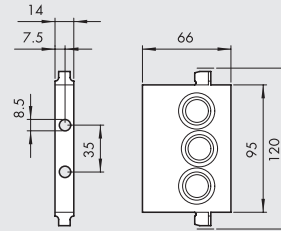
Code	Description	Weight [g]
0228000201	Additional input end plate, ISO 1	84
0228001201	Additional input end plate, ISO 2	162

5 BLIND END PLATE

ISO 1



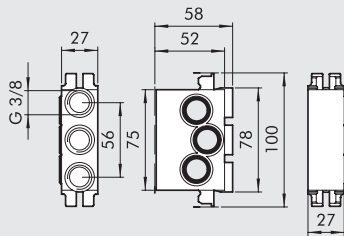
ISO 2



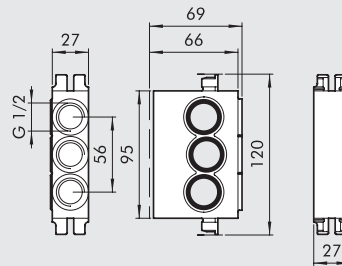
Code	Description	Weight [g]
0228000210	Blind end plate, ISO 1	79
0228001210	Blind end plate, ISO 2	130

6 INTERMEDIATE TOP PORTS

ISO 1



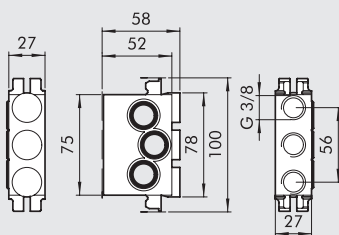
ISO 2



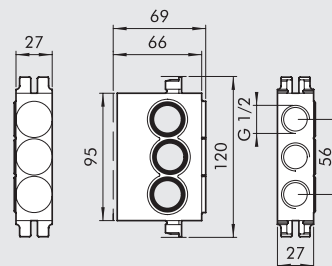
Code	Description	Weight [g]
0228000300	Intermediate top ports, ISO 1	235
0228001300	Intermediate top ports, ISO 2	299

7 INTERMEDIATE REAR PORTS

ISO 1



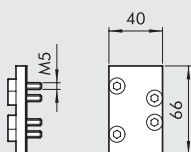
ISO 2



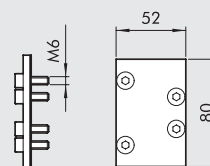
Code	Description	Weight [g]
0228000301	Intermediate rear ports, ISO 1	237
0228001301	Intermediate rear ports, ISO 2	299

8 BLANKING PLATE

ISO 1



ISO 2



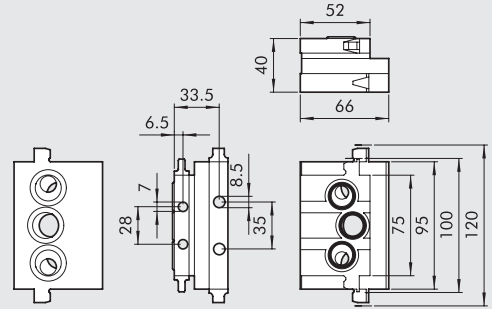
Code	Description	Weight [g]
0228000500	Blanking plate, ISO 1	47
0228001500	Blanking plate, ISO 2	96

9 INTERMEDIATE DIAPHRAGM



Code	Description	Weight [g]
0228000400	Intermediate diaphragm, ISO 1	4
0228001400	Intermediate diaphragm, ISO 2	7

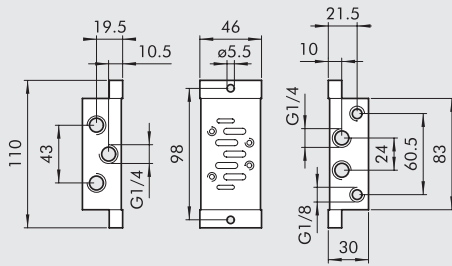
10 DIMENSION ADAPTER



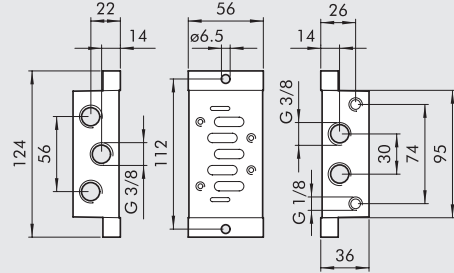
Code	Description	Weight [g]
0228000600	Dimension adapter ISO 1-2	454

11 INDIVIDUAL BASE SIDE PORTS

ISO 1



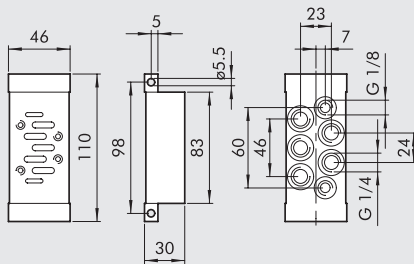
ISO 2



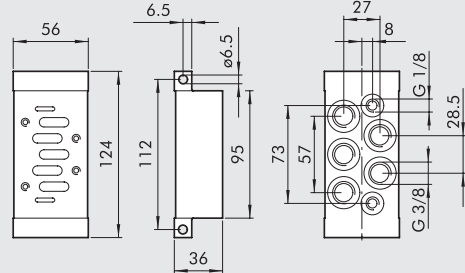
Code	Description	Weight [g]
0228000100	Individual base side ports, ISO 1	165
0228001100	Individual base side ports, ISO 2	257

12 INDIVIDUAL BASE BOTTOM PORTS

ISO 1



ISO 2



Code	Description	Weight [g]
0228000110	Individual base bottom ports, ISO 1	197
0228001110	Individual base bottom ports, ISO 2	304

13 ASSEMBLY KIT

ISO 1

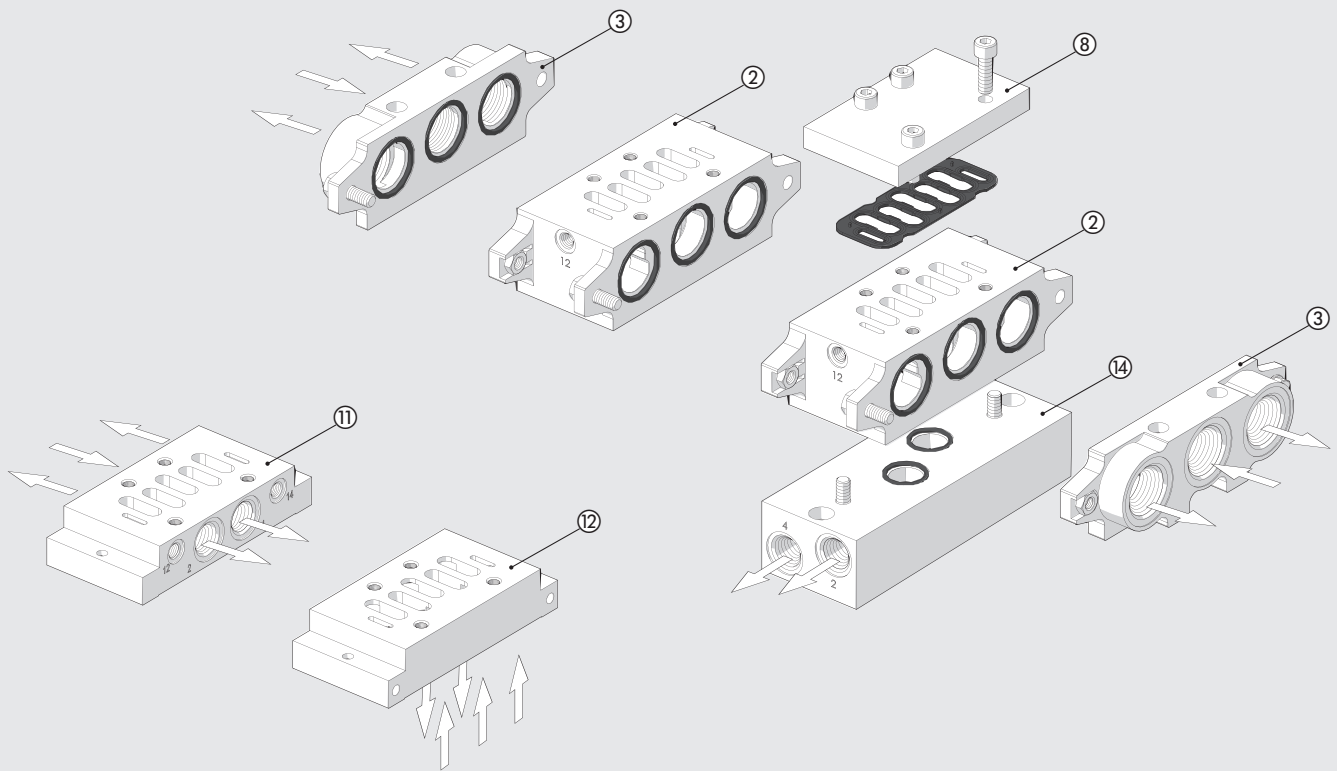


ISO 2



Code	Description	Weight [g]
0228000700	Assembly kit, ISO 1	47
0228001700	Assembly kit, ISO 2	47

**BASES ISO 5599/1
FOR VALVES SERIES IPV-ISV SIZE ISO 3**

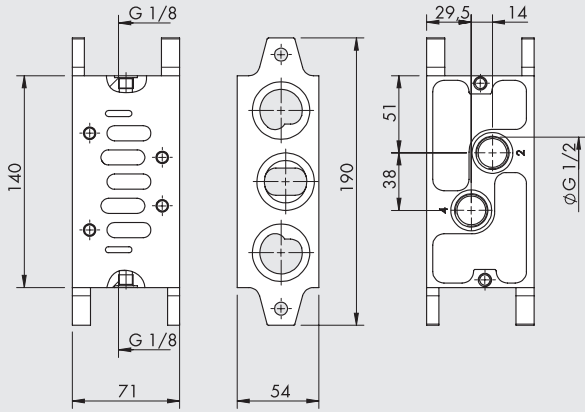


VALVES

BASES ISO 5599/1 FOR VALVES SERIES IPV-ISV SIZE ISO 3

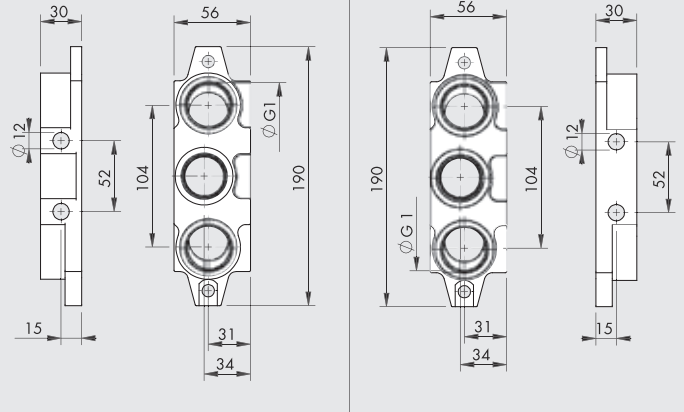
Reference	Code ISO 3	Description
②	0228002155	Manifold base with bottom ports
③	0228002200	Input end plate
⑧	0228002500	Blanking plate
⑪	0228002100	Individual base - side ports
⑫	0228002110	Base - bottom ports
⑭	0228002150	Side interface

② MANIFOLD BASE, BOTTOM PORTS



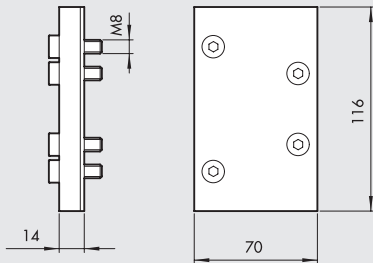
Code	Description	Weight [g]
0228002155	Manifold base, bottom ports, ISO 3	915

③ INPUT END PLATE



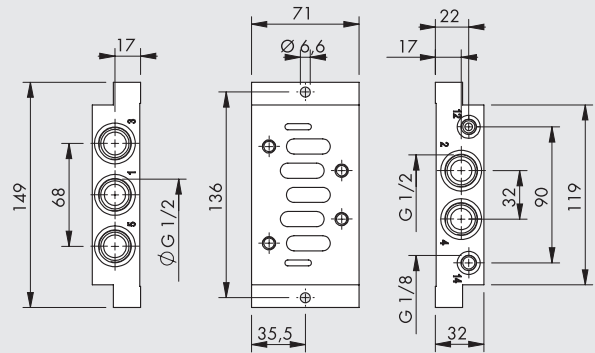
Code	Description	Weight [g]
0228002200	Input end plate, ISO 3	880

⑧ BLANKING PLATE



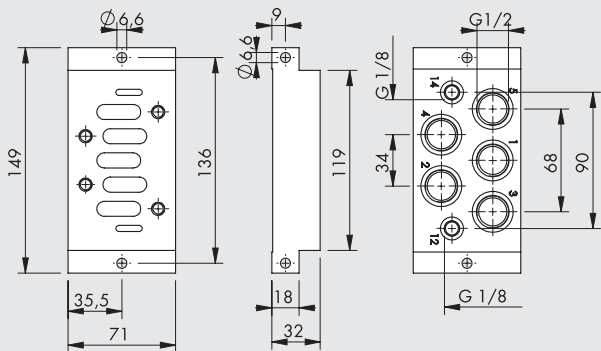
Code	Description	Weight [g]
0228002500	Blanking plate, ISO 3	350

⑪ INDIVIDUAL BASE SIDE PORTS



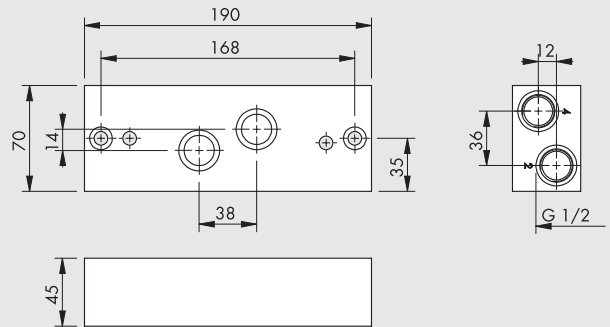
Code	Description	Weight [g]
0228002100	Individual base side ports, ISO 3	470

⑫ INDIVIDUAL BASE BOTTOM PORTS



Code	Description	Weight [g]
0228002110	Individual base bottom ports, ISO 3	655

⑭ SIDE INTERFACE



Code	Description	Weight [g]
0228002150	Side interface, ISO 3	1470